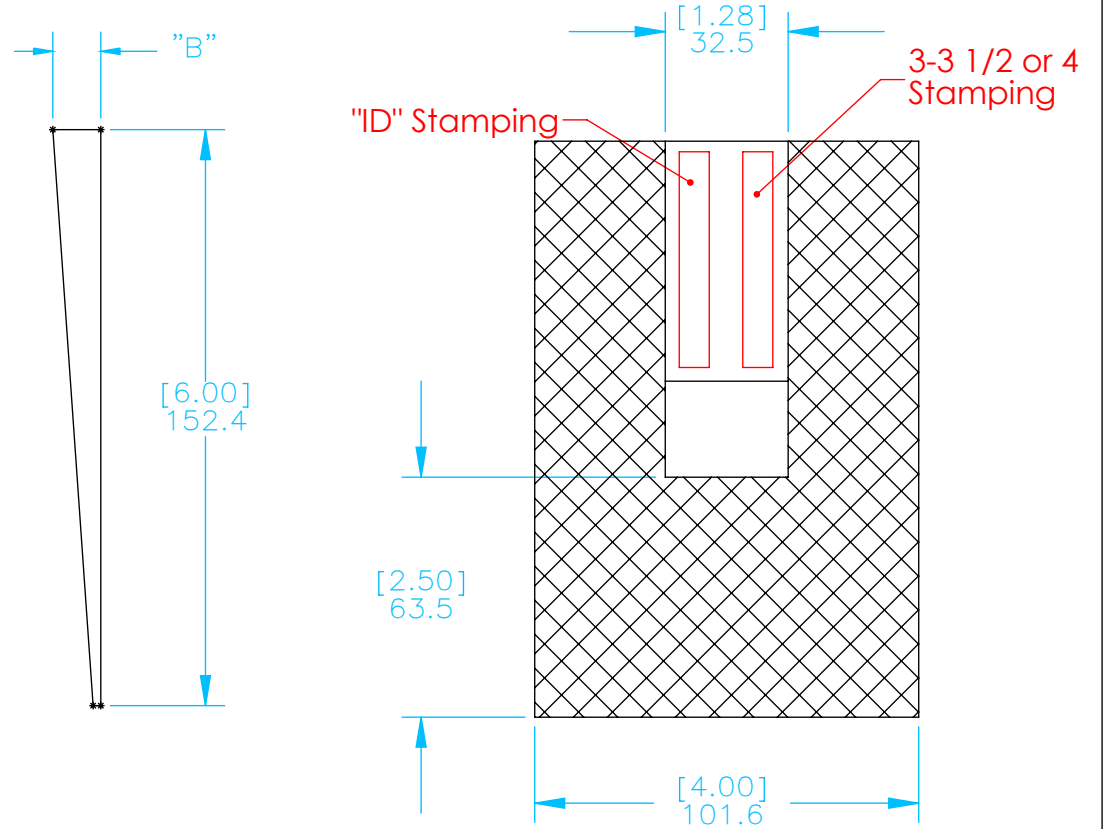


PART NO.	"A"	ID
.891	.132	.5 DEG
.892	.185	1 DEG
.893	.237	1.5 DEG
.894	.289	2 DEG
.895	.342	2.5 DEG
.896	.394	3 DEG
.897	.447	3.5 DEG
.898	.500	4 DEG

891-898 UNI-WEDGE



FINISH: NONE

SPECIALTY PRODUCTS COMPANY

891-898

UNI-WEDGE

SHEET 1 OF 1

REV. C

**FOR RECEIVING-INSPECTION USE**