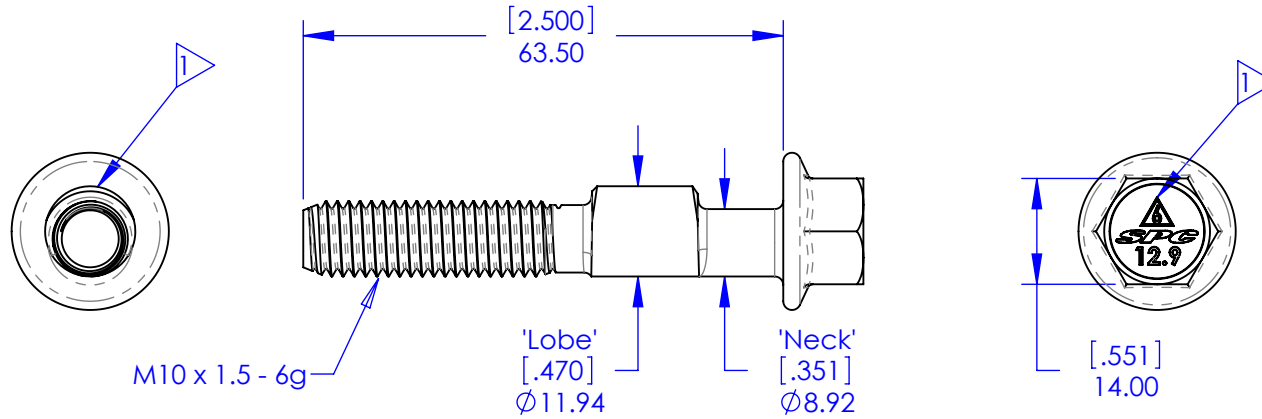


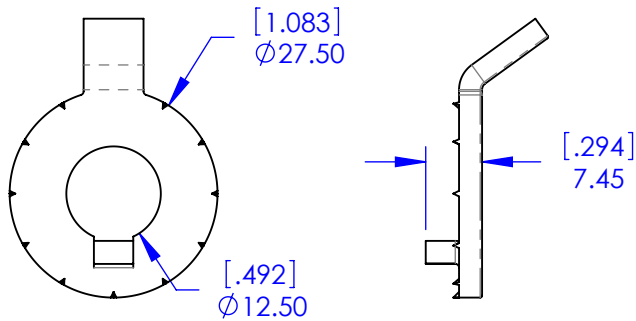
Notes:

- 1. Assure that 'point' at top of triangle around ID mark is aligned with the direction of the 'Lobe' from 'Neck' (both orientened at the top in the end views shown)

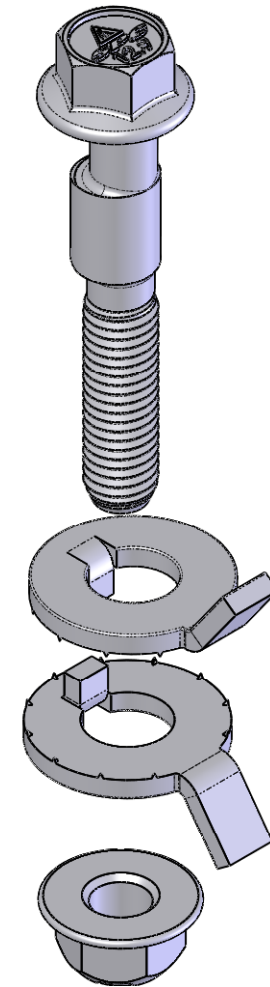
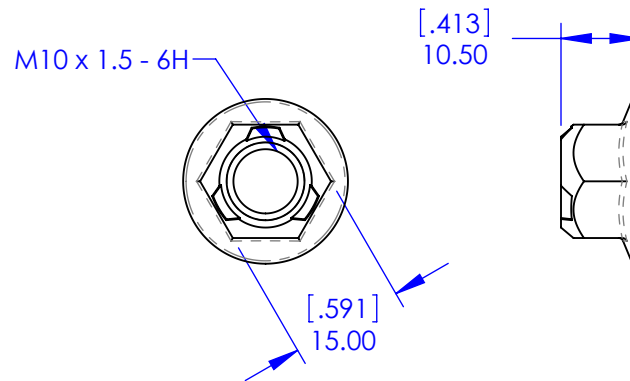
(1x)



(2x)



(1x)



**Specialty Products Company**  
Longmont, Colorado USA • www.specprod.com

PROPRIETARY AND CONFIDENTIAL

THIS DOCUMENT CONTAINS PROPRIETARY INFORMATION WHICH SHALL NOT BE REPRODUCED, TRANSFERRED TO OTHER DOCUMENTS, DISCLOSED TO OTHERS, USED FOR MANUFACTURING, OR ANY OTHER PURPOSE WITHOUT PRIOR WRITTEN PERMISSION FROM SPECIALTY PRODUCTS COMPANY

**FOR RECEIVING-INSPECTION USE**

Rev. C

8/20/10