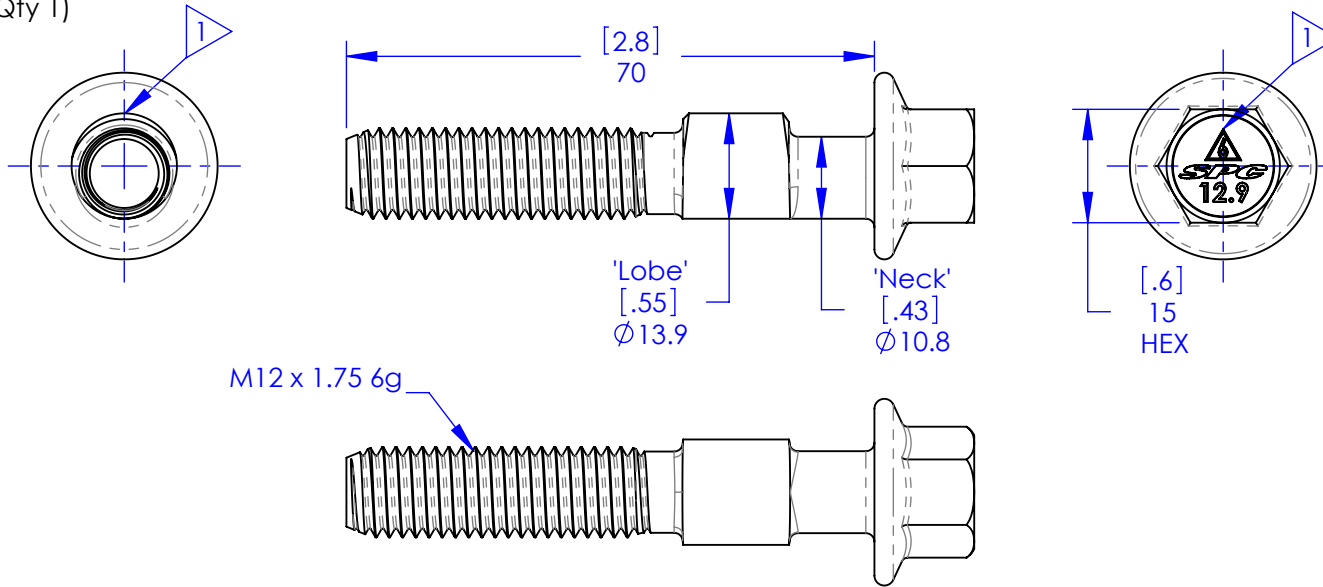


812611 Assembly, EZ Cam

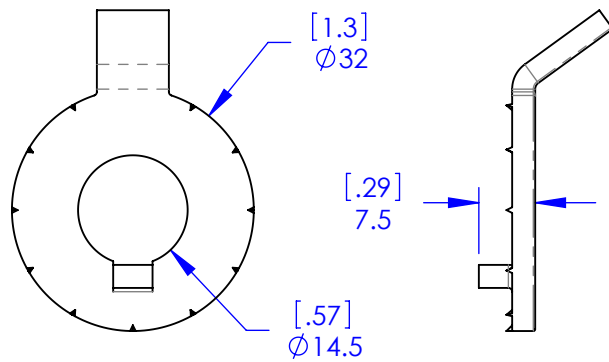
NOTES:

1. Assure that 'point' at top of triangle around ID mark is aligned with direction of 'Lobe' offset from 'Neck' (both oriented at top in the end views shown)
2. Finish: Geomet (Silver).

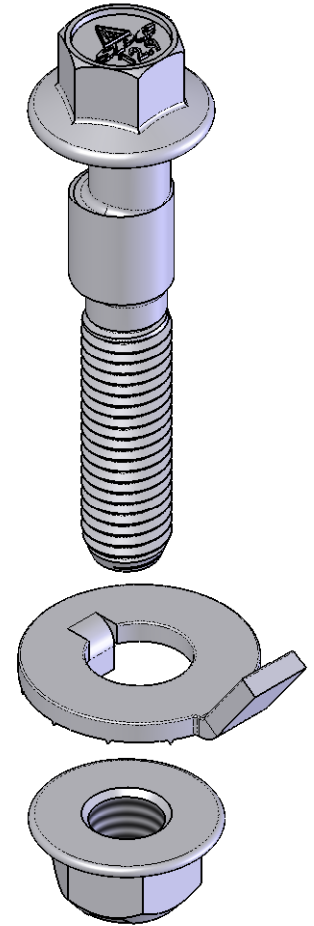
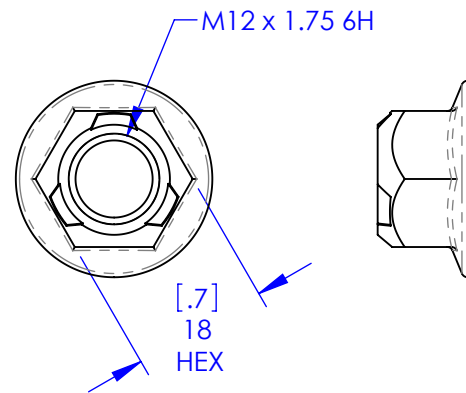
(Qty 1)



(Qty 1)



(Qty 1)



Specialty Products Company
Longmont, Colorado USA • www.specprod.com

812611 Assembly, EZ Cam

PROPRIETARY AND CONFIDENTIAL

THIS DOCUMENT CONTAINS PROPRIETARY INFORMATION WHICH SHALL NOT BE REPRODUCED, TRANSFERRED TO OTHER DOCUMENTS, DISCLOSED TO OTHERS, USED FOR MANUFACTURING, OR ANY OTHER PURPOSE WITHOUT PRIOR WRITTEN PERMISSION FROM SPECIALTY PRODUCTS COMPANY

FOR RECEIVING-INSPECTION USE

Rev. L

11 Oct 12