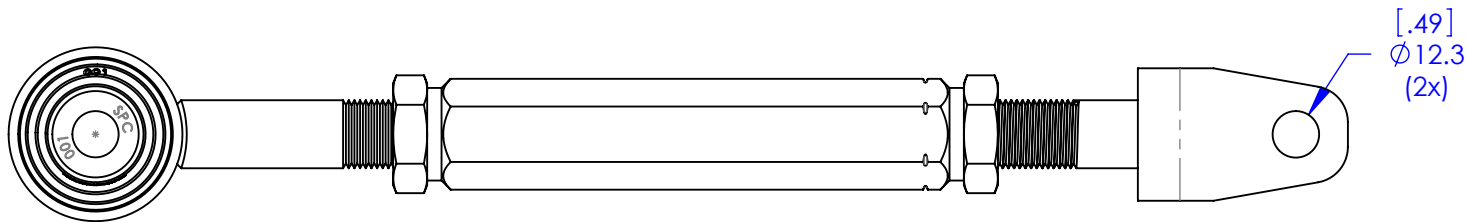
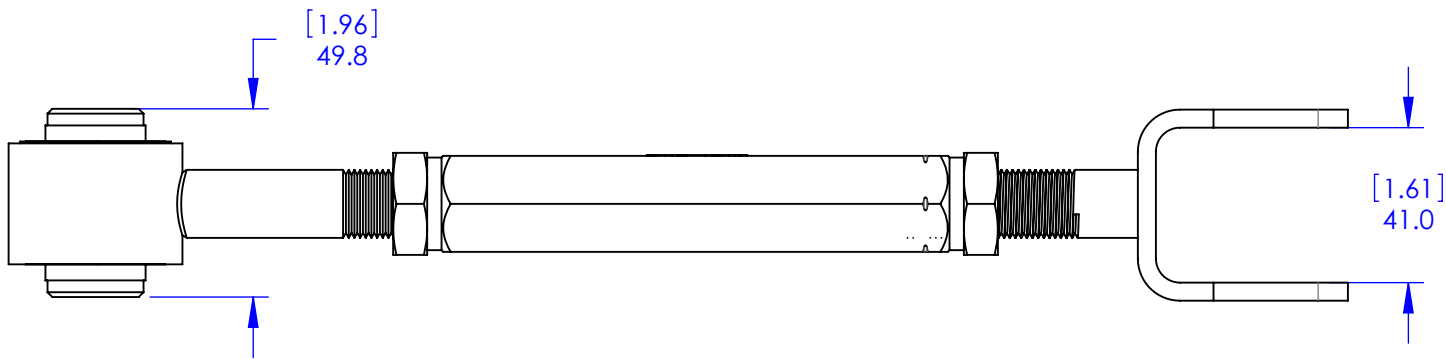
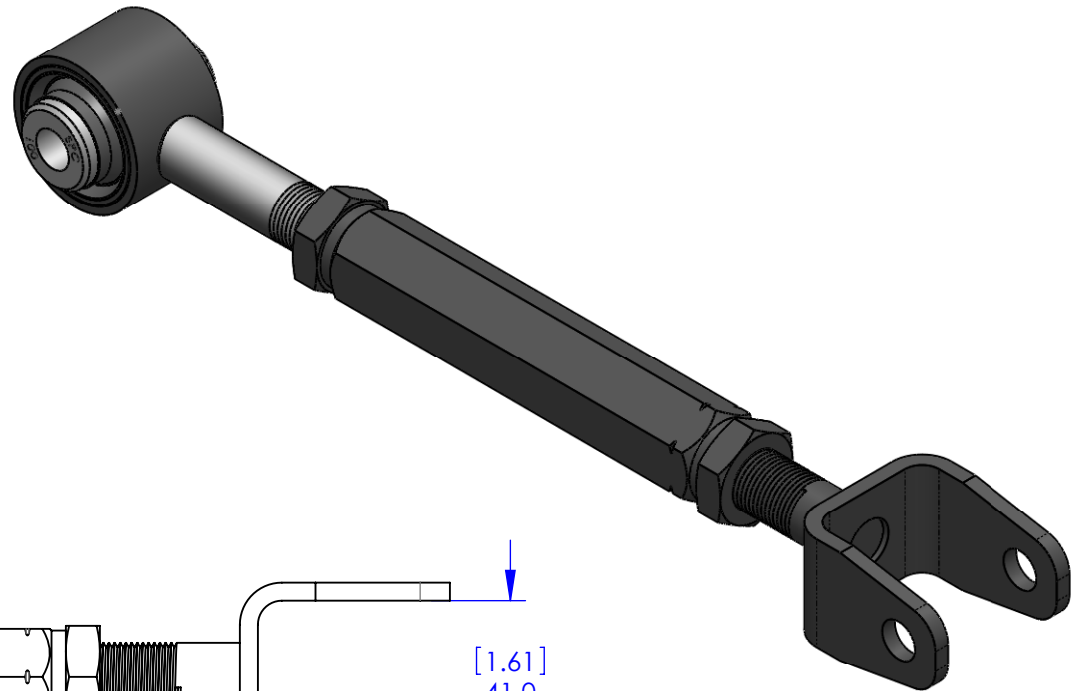


722602 Assembly, Control Arm



**Specialty Products Company**  
 Longmont, Colorado USA • www.specprod.com

722602 Assembly, Control Arm

**PROPRIETARY AND CONFIDENTIAL**  
 This document contains proprietary information which shall not be reproduced, transferred to other documents, disclosed to others, used for manufacturing, or any other purpose without prior written permission from Specialty Products Company.

**DO NOT SCALE DRAWING**  
 UNDIMENSIONED FEATURES ARE CONSIDERED NOMINAL AT 3D MODEL SURFACES WITH TOLERANCE ±0.50mm[0.020"]

CONFORMS TO ASME Y14.5  
 LINEAR mm[in] ANGLE (deg.)  
 None±1.00 [.X ±.040"] None±2.0°  
 .X ±0.50 [.XX ±.020"] .X ±1.0°  
 .XX ±0.25 [.XXX±.010"] .XX ±0.5°

Drawn: JSP  
 Date: 09/26/08  
 EngCode: CARM

MATERIAL: See Components  
 FINISH: See Components

Rev. **F**  
 SHEET 2 of 2