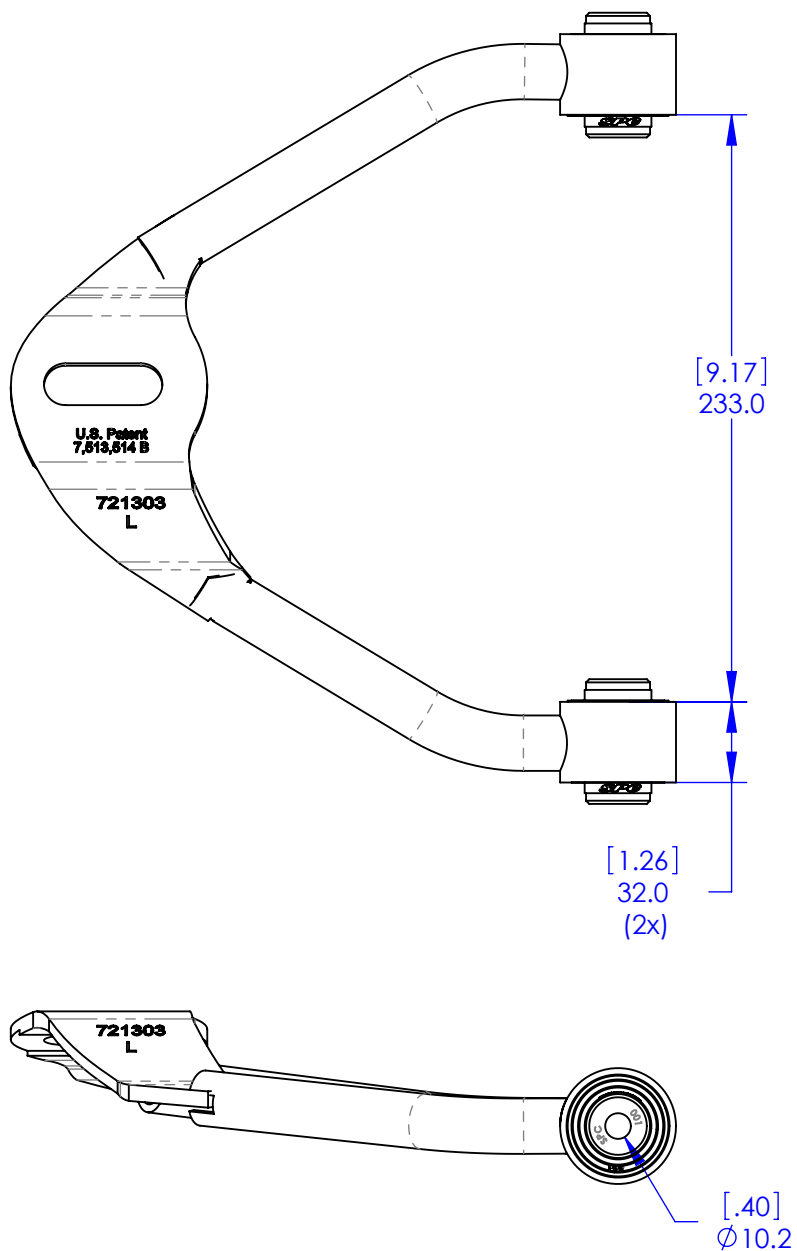
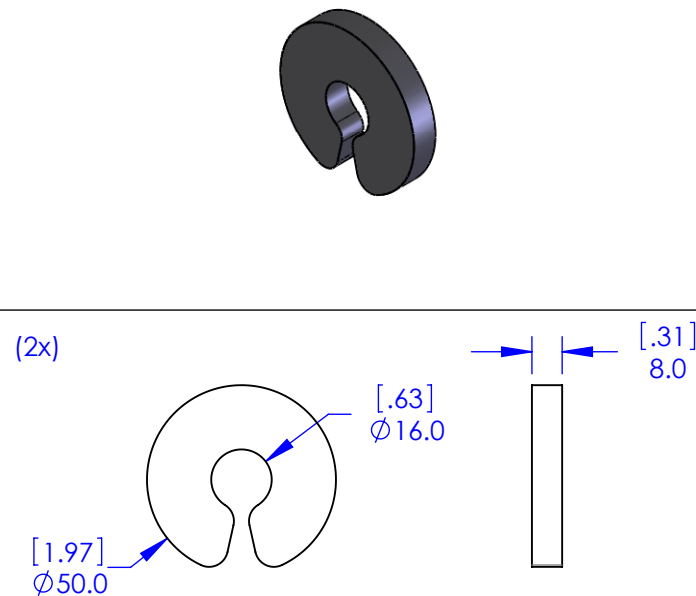
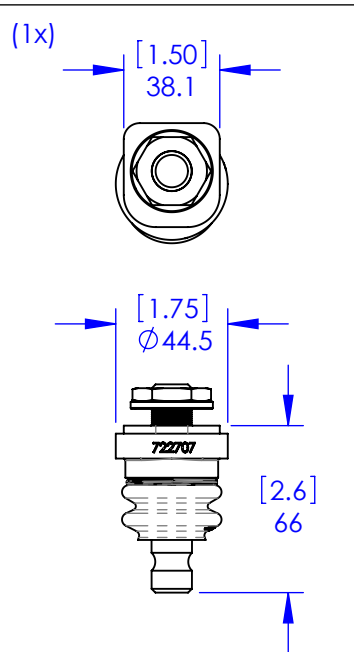


(1x)



721331 Kit, Upper Control Arm - Left



Specialty Products Company
Longmont, Colorado USA • www.specprod.com

PROPRIETARY AND CONFIDENTIAL

THIS DOCUMENT CONTAINS PROPRIETARY INFORMATION WHICH SHALL NOT BE REPRODUCED, TRANSFERRED TO OTHER DOCUMENTS, DISCLOSED TO OTHERS, USED FOR MANUFACTURING, OR ANY OTHER PURPOSE WITHOUT PRIOR WRITTEN PERMISSION FROM SPECIALTY PRODUCTS COMPANY

721331 Kit, Upper Control Arm - Left

FOR RECEIVING-INSPECTION USE

Rev. **A**

31 Oct 11