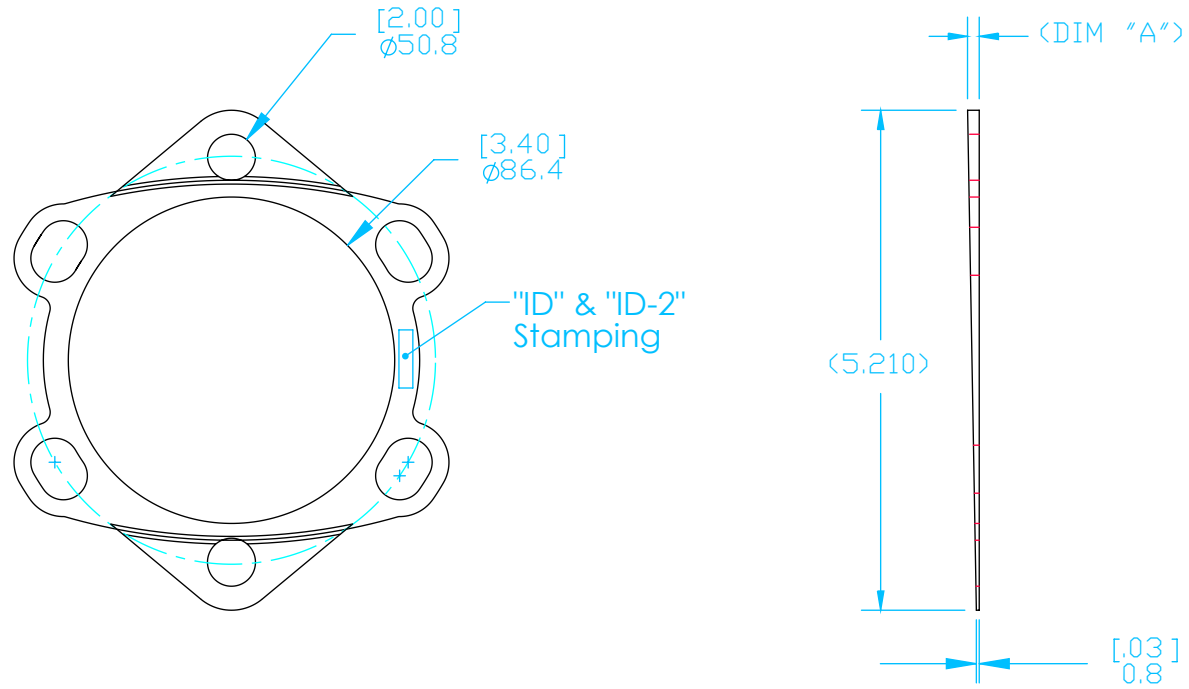


PART NO.	ID	ID-2	(DIM "A")
717301	71730	.25°	.058
717311	71731	.50°	.083
717321	71732	.75°	.110
717331	71733	1.00°	.133

717301-717331

SHIM



SPECIALTY PRODUCTS COMPANY

717301-717331

SHIM

FINISH: NONE

SHEET 1 OF 1

REV. A

FOR RECEIVING-INSPECTION USE