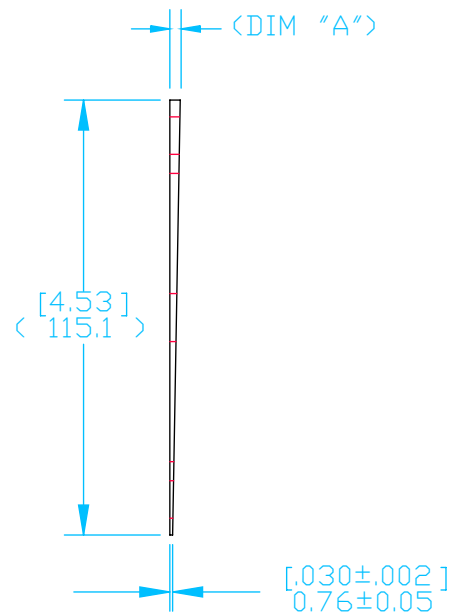
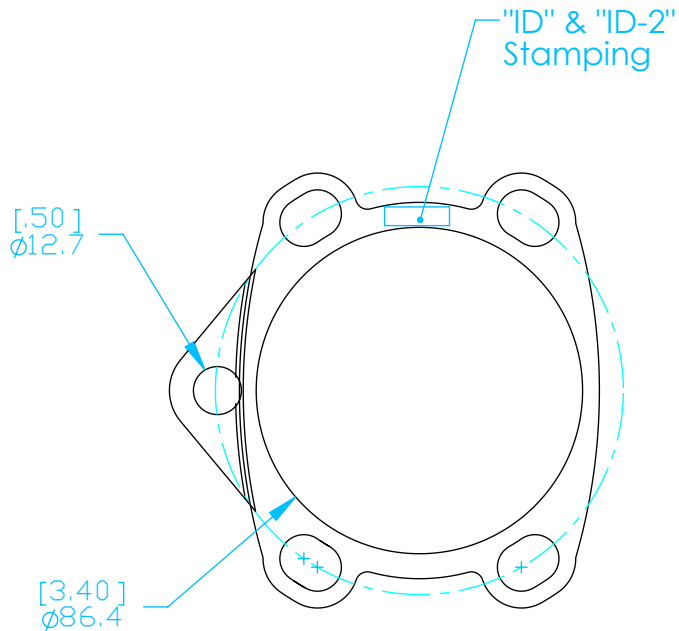


PART NO.	ID	ID-2	(DIM "A")
717201	71720	.10°	.040
717211	71721	.20°	.045
717221	71722	.30°	.055
717231	71723	.40°	.068
717241	71724	.50°	.078
717251	71725	.80°	.101



FINISH: NONE

SPECIALTY PRODUCTS COMPANY

717201-717251

SHIM

SHEET 1 OF 1

REV. B

**FOR RECEIVING-INSPECTION USE**