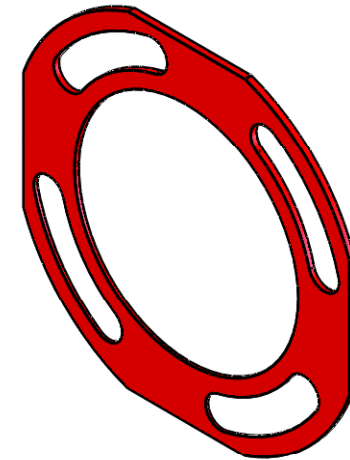
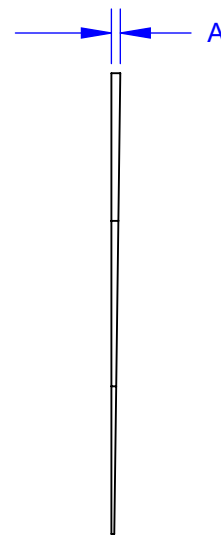
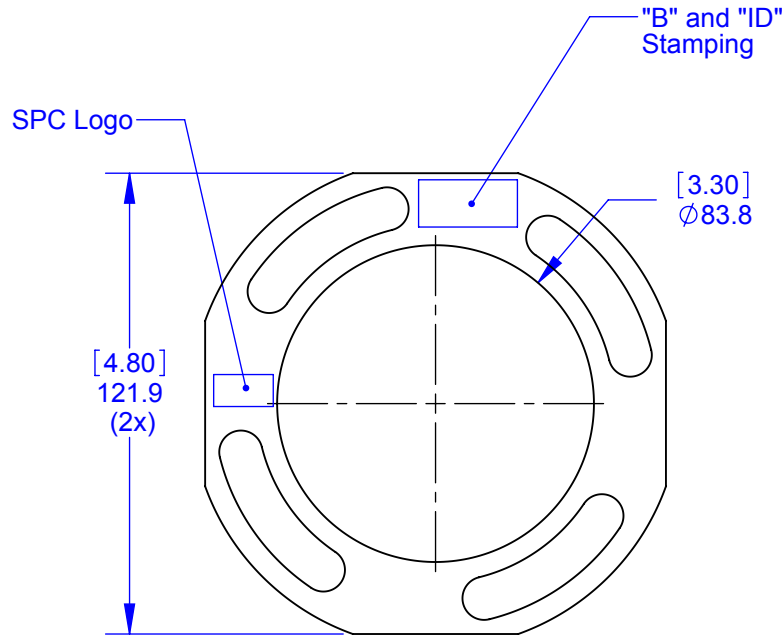


PART NO.	ID	("A")	"B"
710201	71020	0.89 (0.035")	0.06°
710211	71021	1.02 (0.040")	0.13°
710221	71022	1.30 (0.051")	0.25°
710231	71023	1.57 (0.062")	0.38°
710241	71024	1.83 (0.072")	0.50°
710251	71025	2.36 (0.093")	0.75°



Specialty Products Company
 Longmont, Colorado USA • www.specprod.com

710201-710251 SIENNA SHIM

PROPRIETARY AND CONFIDENTIAL

THIS DOCUMENT CONTAINS PROPRIETARY INFORMATION WHICH SHALL NOT BE REPRODUCED, TRANSFERRED TO OTHER DOCUMENTS, DISCLOSED TO OTHERS, USED FOR MANUFACTURING, OR ANY OTHER PURPOSE WITHOUT PRIOR WRITTEN PERMISSION FROM SPECIALTY PRODUCTS COMPANY

FOR RECEIVING-INSPECTION USE

Rev. A