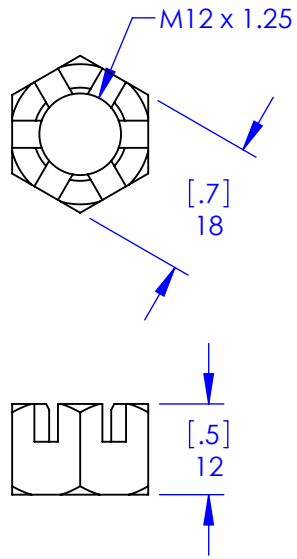
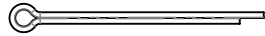


(QTY 1)

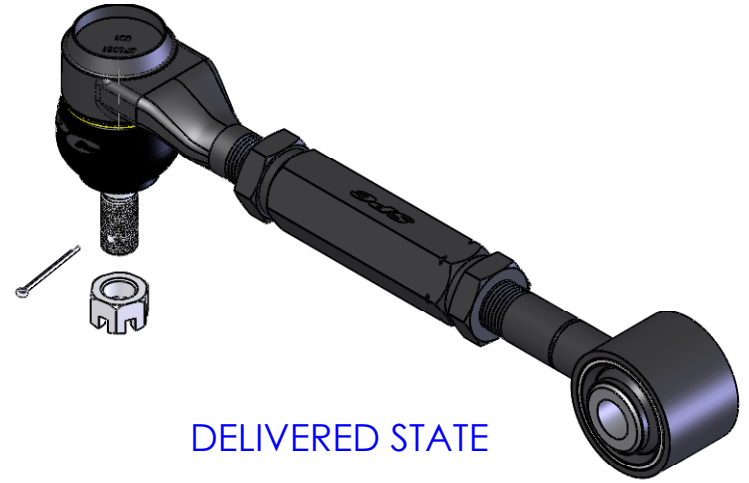


(QTY 1)



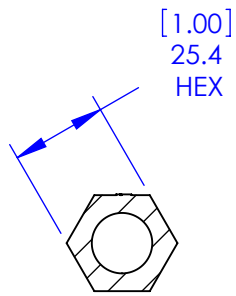
1/16" x 1" Cotter Pin

676551 Assembly, Toe Link



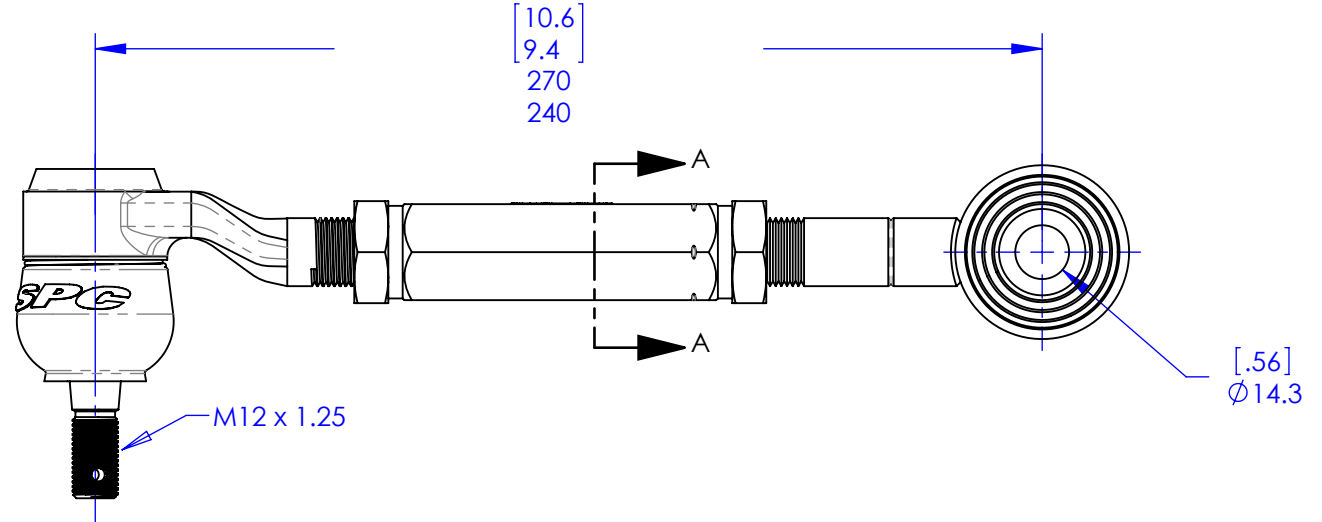
DELIVERED STATE

(QTY 1)



SECTION A-A

INTENDED ADJUSTMENT RANGE



**Specialty Products Company**  
 Longmont, Colorado USA • www.specprod.com

676551 Assembly, Toe Link

PROPRIETARY AND CONFIDENTIAL

THIS DOCUMENT CONTAINS PROPRIETARY INFORMATION WHICH SHALL NOT BE REPRODUCED, TRANSFERRED TO OTHER DOCUMENTS, DISCLOSED TO OTHERS, USED FOR MANUFACTURING, OR ANY OTHER PURPOSE WITHOUT PRIOR WRITTEN PERMISSION FROM SPECIALTY PRODUCTS COMPANY

FOR RECEIVING-INSPECTION USE

Rev. B

01 Jun 11