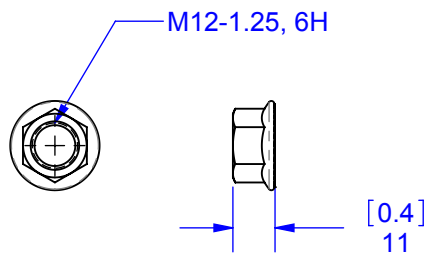
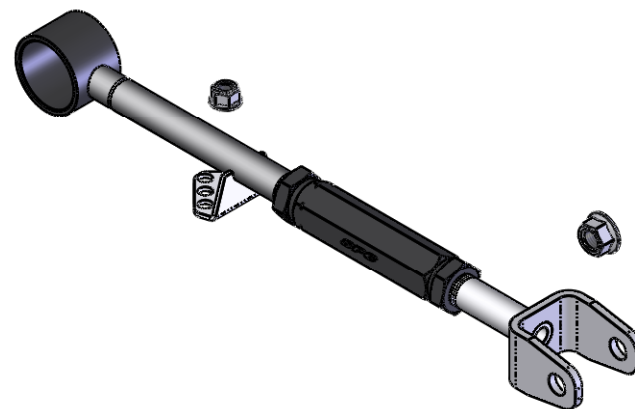
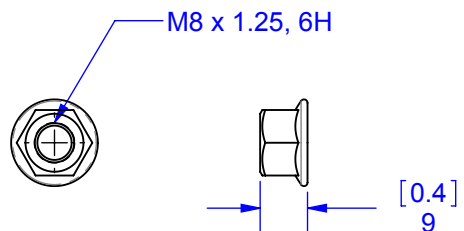


675501 FRONT LOWER ARM ASSY

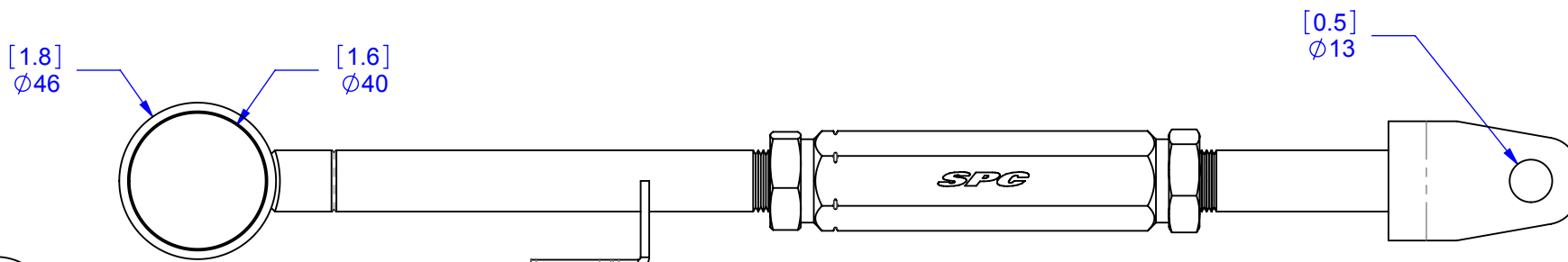
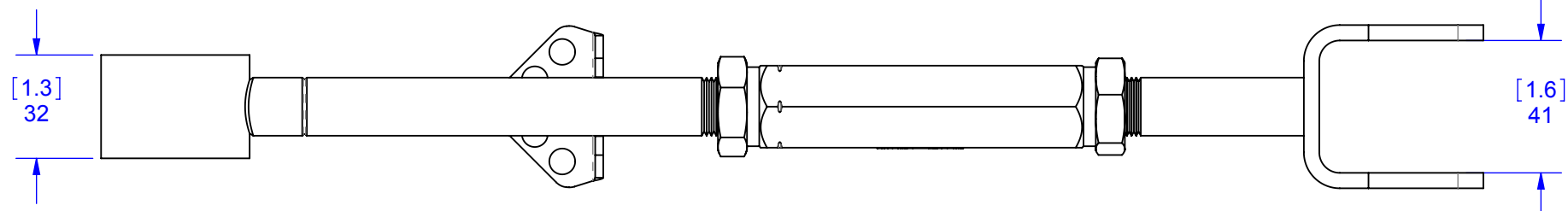
(1x)



(1x)



(1x)



Specialty Products Company
Longmont, Colorado USA • www.specprod.com

675501 FRONT LOWER ARM ASSY

PROPRIETARY AND CONFIDENTIAL

THIS DOCUMENT CONTAINS PROPRIETARY INFORMATION WHICH SHALL NOT BE REPRODUCED, TRANSFERRED TO OTHER DOCUMENTS, DISCLOSED TO OTHERS, USED FOR MANUFACTURING, OR ANY OTHER PURPOSE WITHOUT PRIOR WRITTEN PERMISSION FROM SPECIALTY PRODUCTS COMPANY

FOR RECEIVING-INSPECTION USE

Rev. **B**

12/24/08