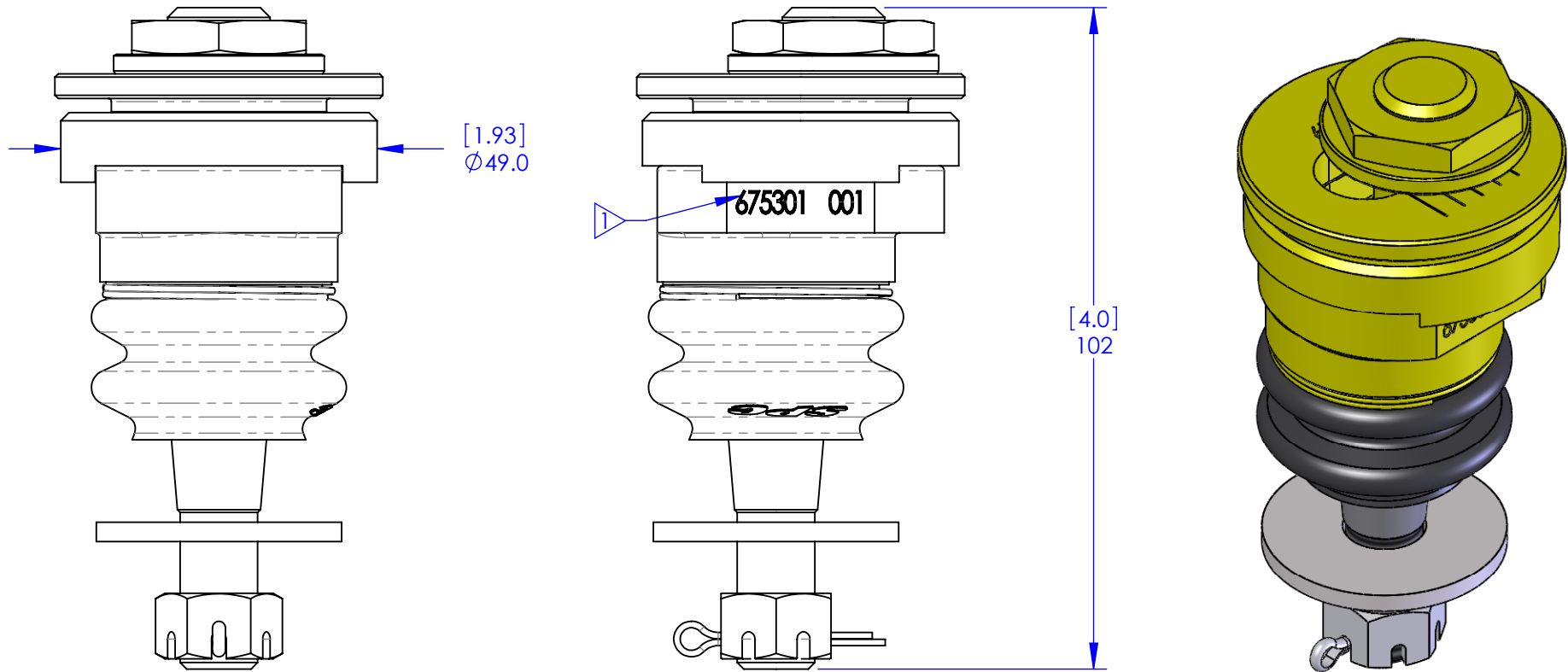


Notes:

- 1. Numbers stamped in this location: First six digits are part number followed by lot number.



**Specialty Products Company**  
Longmont, Colorado USA • www.specprod.com

**PROPRIETARY AND CONFIDENTIAL**

THIS DOCUMENT CONTAINS PROPRIETARY INFORMATION WHICH SHALL NOT BE REPRODUCED, TRANSFERRED TO OTHER DOCUMENTS, DISCLOSED TO OTHERS, USED FOR MANUFACTURING, OR ANY OTHER PURPOSE WITHOUT PRIOR WRITTEN PERMISSION FROM SPECIALTY PRODUCTS COMPANY

675303 Kit, Ball Joint - Offset / Sliding (for OEM arm)

**FOR RECEIVING-INSPECTION USE**

Rev. **A**

06 Jul 11