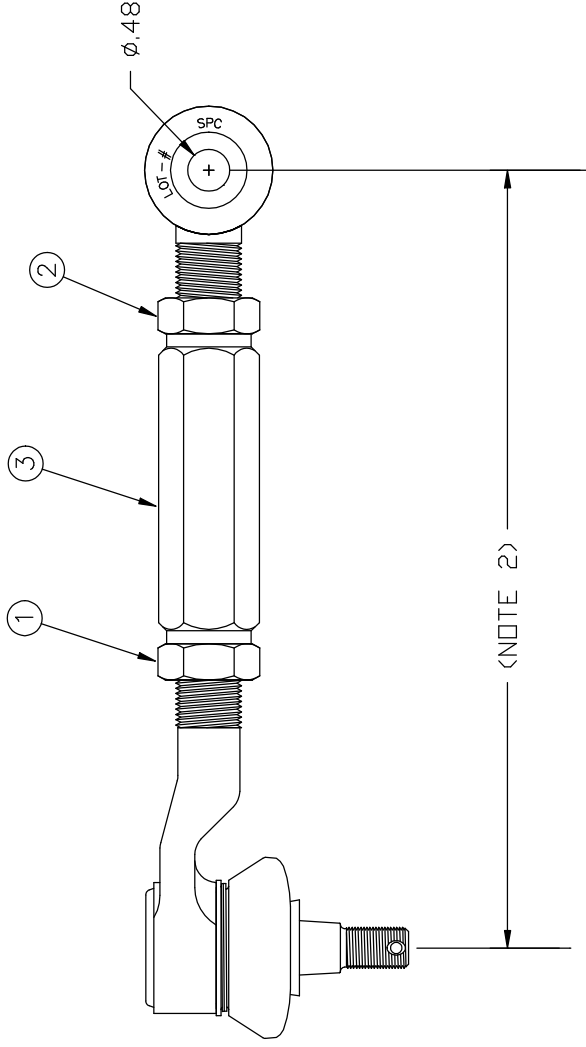


NOTES:

- 1 THIS DRAWING IS INTENDED FOR INSPECTION PURPOSES ONLY AND NOT FOR ENGINEERING/PRODUCTION PURPOSES.
- 2 MAXIMUM WORKING EXTENDED LENGTH TO BE APPROXIMATELY 9.8 INCHES.
- 3 THE MINIMUM THREAD ENGAGEMENT ALLOWED BETWEEN THE ITEMS #1 AND #2 ASSEMBLIES AND THE ITEM #3 ADJUSTER IS 0.75 INCHES.
- 4 COTTER PIN AND M12 CASTLE NUT TO BE INCLUDED WITH ARM.



KIT P/N 672901

DO NOT SCALE DRAWING

SPECIALTY PRODUCTS COMPANY		IP-148	CONTROL ARM	SHEET 1 OF 1
COMPANY CONFIDENTIAL PROPRIETARY INFORMATION; REPRODUCTION OR UNAUTHORIZED USE PROHIBITED		REV. -		
DRAWN BY: DS	SCALE: 1:2	DIMENSIONS & TOLERANCES IN INCH & DECIMAL DEGREE		
APPROVED BY: -	DATE: 4/16/03	UNSPECIFIED TOLERANCES: X.X±.10, X.XX ±.03, X.XXX ±.01, ANGLES ±2.0°		
NOTES: CONFORMS TO SS-100, UNLESS OTHERWISE SPECIFIED				