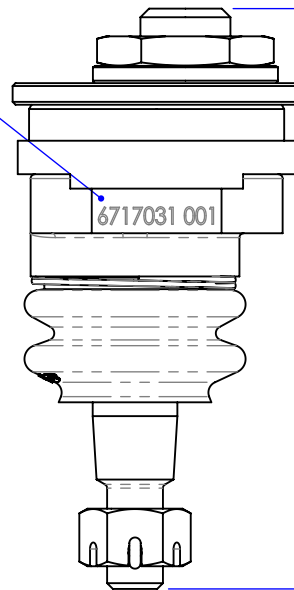
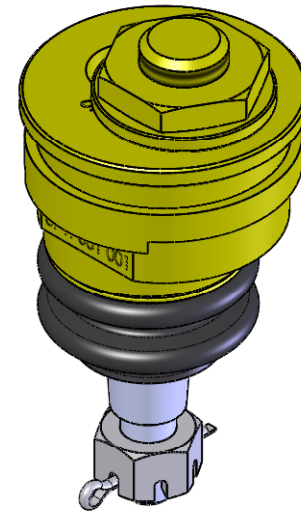


[2.00]
Ø50.8

Part Number
Stamping



[4.0]
102



Specialty Products Company
Longmont, Colorado USA • www.specprod.com

671953 Kit, Offset Ball Joint w/ Hardware

PROPRIETARY AND CONFIDENTIAL

THIS DOCUMENT CONTAINS PROPRIETARY INFORMATION WHICH SHALL NOT BE REPRODUCED, TRANSFERRED TO OTHER DOCUMENTS, DISCLOSED TO OTHERS, USED FOR MANUFACTURING, OR ANY OTHER PURPOSE WITHOUT PRIOR WRITTEN PERMISSION FROM SPECIALTY PRODUCTS COMPANY

FOR RECEIVING-INSPECTION USE

Rev. **B**

17 Apr 12