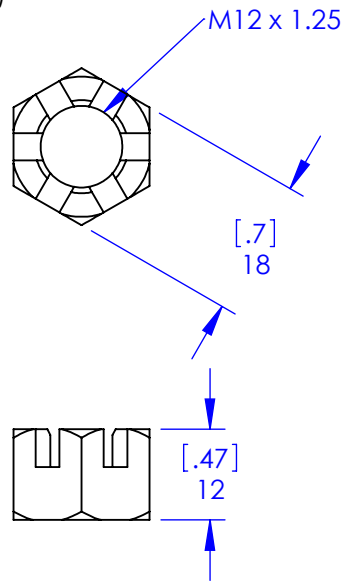


(QTY 1)

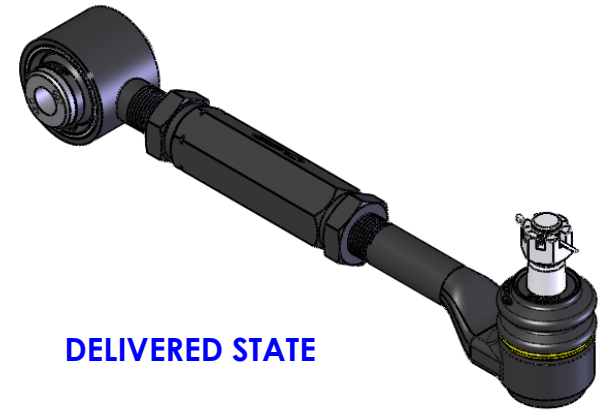


(QTY 1)



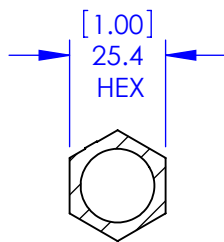
1/16 x 1" Cotter Pin

### 670901 Assembly, Control Arm



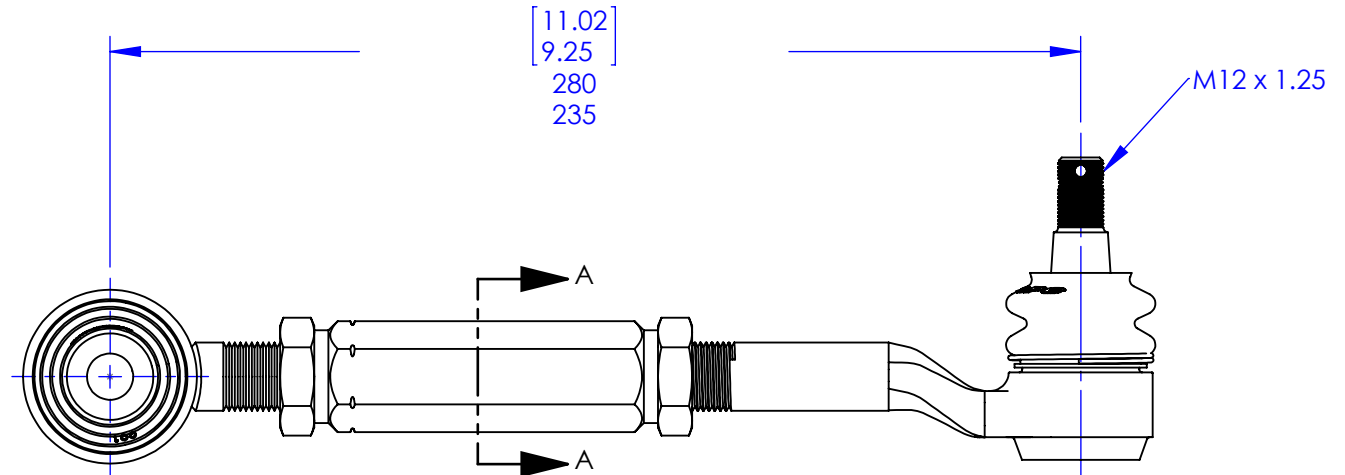
**DELIVERED STATE**

(QTY 1)



SECTION A-A

INTENDED ADJUSTMENT RANGE



**Specialty Products Company**  
 Longmont, Colorado USA • www.specprod.com

**PROPRIETARY AND CONFIDENTIAL**

THIS DOCUMENT CONTAINS PROPRIETARY INFORMATION WHICH SHALL NOT BE REPRODUCED, TRANSFERRED TO OTHER DOCUMENTS, DISCLOSED TO OTHERS, USED FOR MANUFACTURING, OR ANY OTHER PURPOSE WITHOUT PRIOR WRITTEN PERMISSION FROM SPECIALTY PRODUCTS COMPANY

### 670901 Assembly, Control Arm

**FOR RECEIVING-INSPECTION USE**

Rev. **N**

01 Jun 11