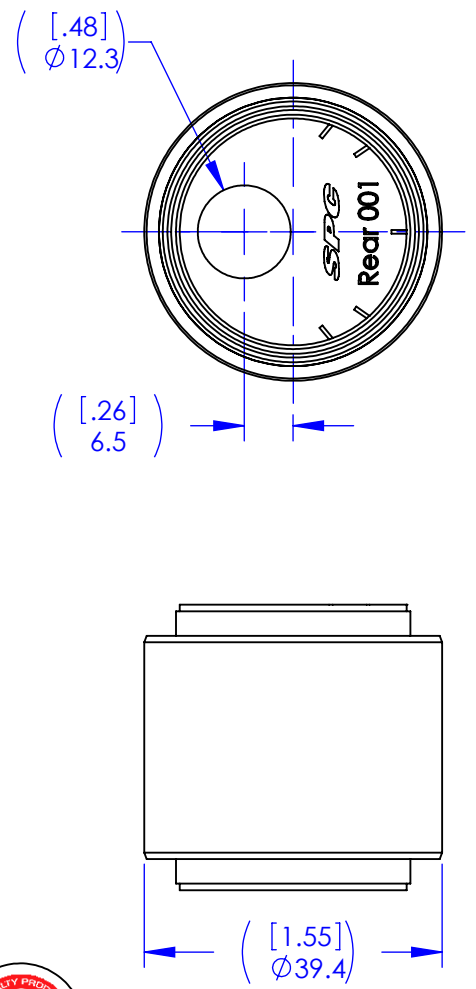


ITEM	QTY	PART NO.	DESCRIPTION
1	1	660502	Bushing, Cartridge - Eccentric
2	1	660503	Bushing, Cartridge - Eccentric w/ Stepped O.D.

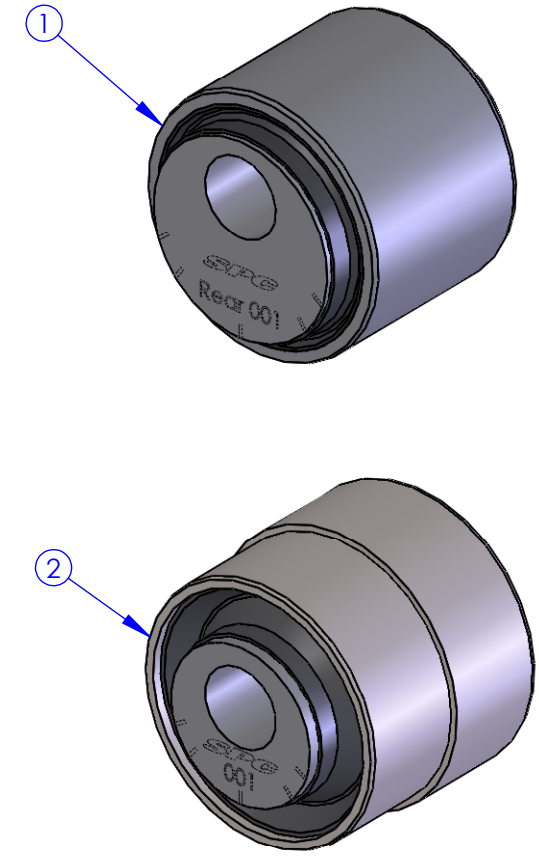
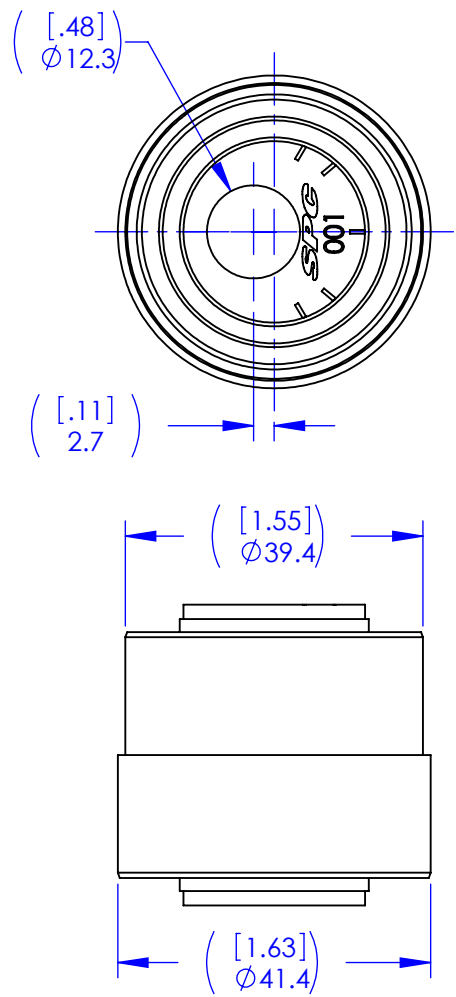
660501 Kit, Eccentric Bushing (1.5° max. change)				
DATE	REV	REVISION COMMENTS	BY	ECN
17 Aug 11	d1	Replaces/Combines 660109, 660209, 660809, 660859	RAH	0
14 Oct 11	d2	660201 and 660203 were revised.	RAH	0
12 Dec 11	A	Production Release; kit bushings were renumbered to 'stay with' this TLA: 660502 was 660201; 660503 was 660203	JRF	1199

This drawing may be used for Receiving Inspection


Item 1



Item 2



INTERPRET & PROCESS per MSS-4.000



**Specialty Products Company**  
Longmont, Colorado USA • www.specprod.com

**660501 Kit, Eccentric Bushing (1.5° max. change)**

<b>PROPRIETARY AND CONFIDENTIAL</b> THIS DOCUMENT CONTAINS PROPRIETARY INFORMATION WHICH SHALL NOT BE REPRODUCED, TRANSFERRED TO OTHER DOCUMENTS, DISCLOSED TO OTHERS, USED FOR MANUFACTURING, OR ANY OTHER PURPOSE WITHOUT PRIOR WRITTEN PERMISSION FROM SPECIALTY PRODUCTS COMPANY	<b>DO NOT SCALE DRAWING</b> UNDIMENSIONED FEATURES ARE CONSIDERED NOMINAL AT 3D MODEL SURFACES WITH TOLERANCE ±0.50mm[0.020"]	CONFORMS TO ASME Y 14.5M 1994 LINEAR mm[in] ANGLE (deg.) None±1.00 [X ±.040"] None±2.0° X ±0.50 [XX ±.020"] X ±1.0° .XX ±0.25 [.XXX±.010"] .XX ±0.5°	DRAWN: JRF	MATERIAL: See Components	Rev. <b>A</b>
		DATE: 1 Dec 11	OPT.MAT'L:	SHEET 1 of 1	
		CHECKED: RAH	FINISH: See Components		