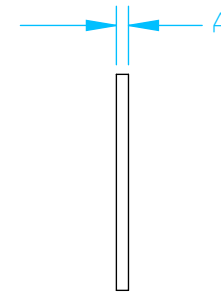
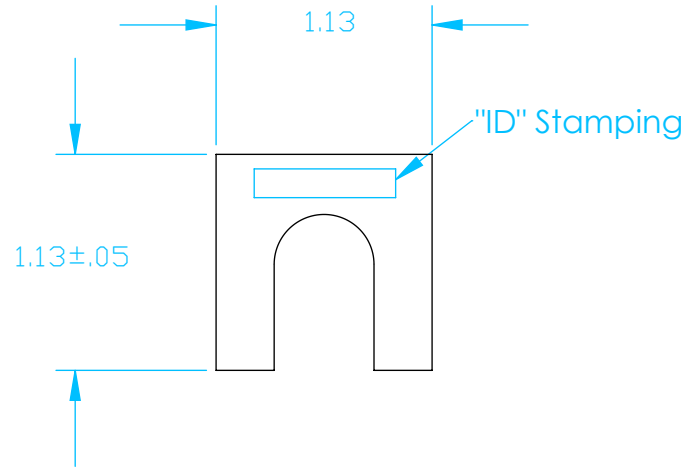


PART NO.	DIM "A"	"ID"
471801	.015	N164
471811	.030	N132
471821	.060	N116
471831	.120	N018
471841	.187	N316

471801-471841

SLA SHIM



FINISH: CLEAR ZINC

SPECIALTY PRODUCTS COMPANY

471801-471841

SLA SHIM

SHEET 1 OF 1

REV. B

**FOR RECEIVING-INSPECTION USE**