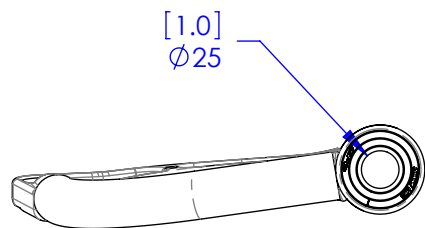
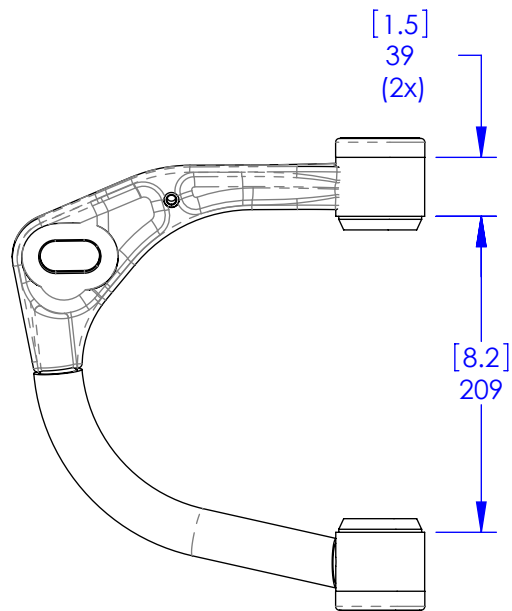
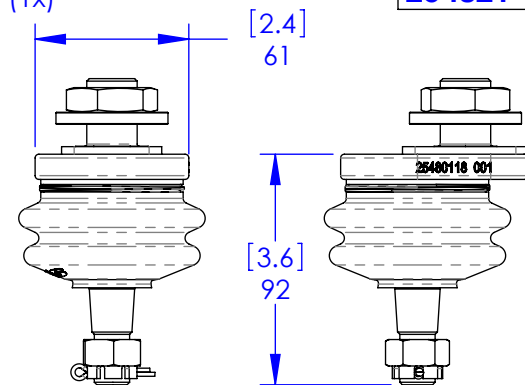


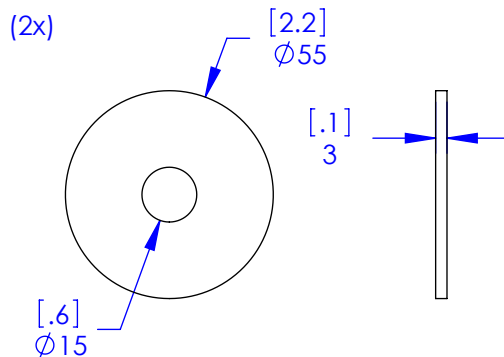
(1x)



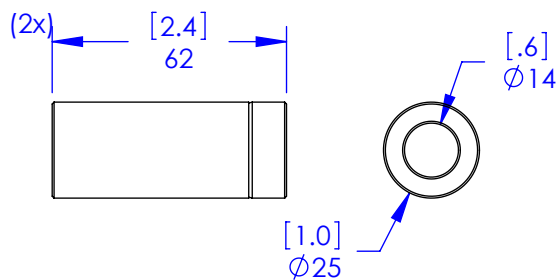
(1x)



(2x)



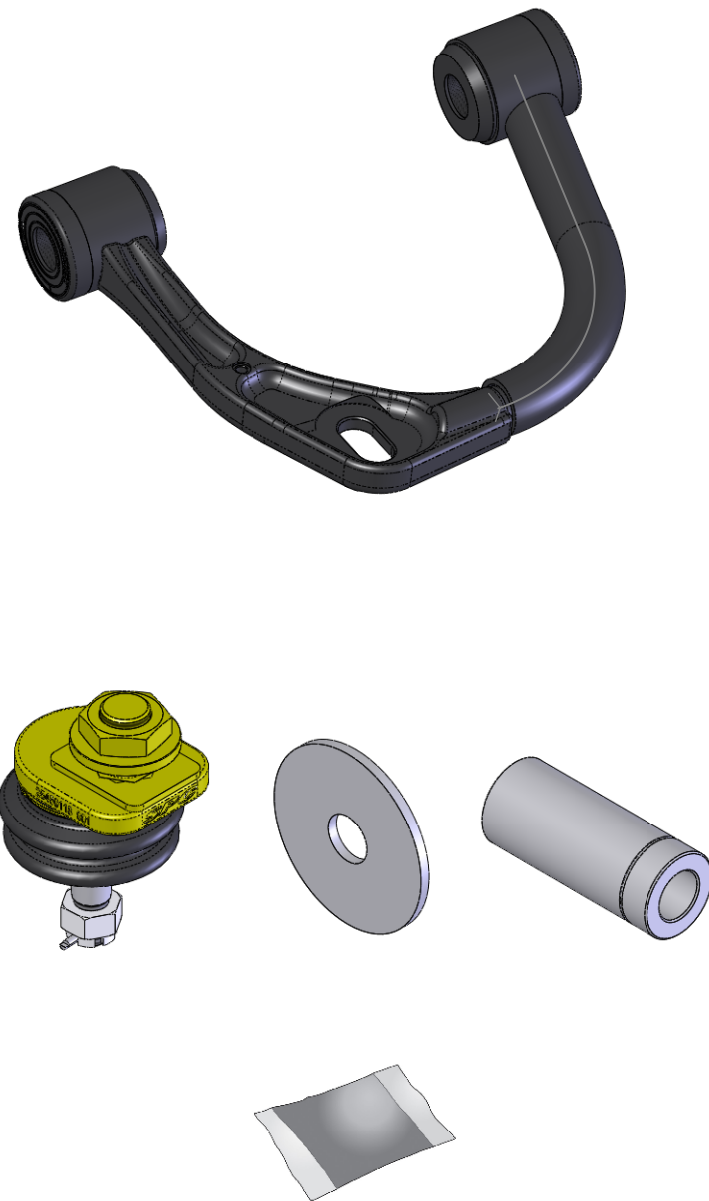
(2x)



(1x)

16 gram greese packet

254821 Kit, Upper Control Arm - Right



Specialty Products Company
 Longmont, Colorado USA • www.specprod.com

PROPRIETARY AND CONFIDENTIAL

THIS DOCUMENT CONTAINS PROPRIETARY INFORMATION WHICH SHALL NOT BE REPRODUCED, TRANSFERRED TO OTHER DOCUMENTS, DISCLOSED TO OTHERS, USED FOR MANUFACTURING, OR ANY OTHER PURPOSE WITHOUT PRIOR WRITTEN PERMISSION FROM SPECIALTY PRODUCTS COMPANY

254821 Kit, Upper Control Arm - Right

FOR RECEIVING-INSPECTION USE

Rev. **G**

18 Jan 13