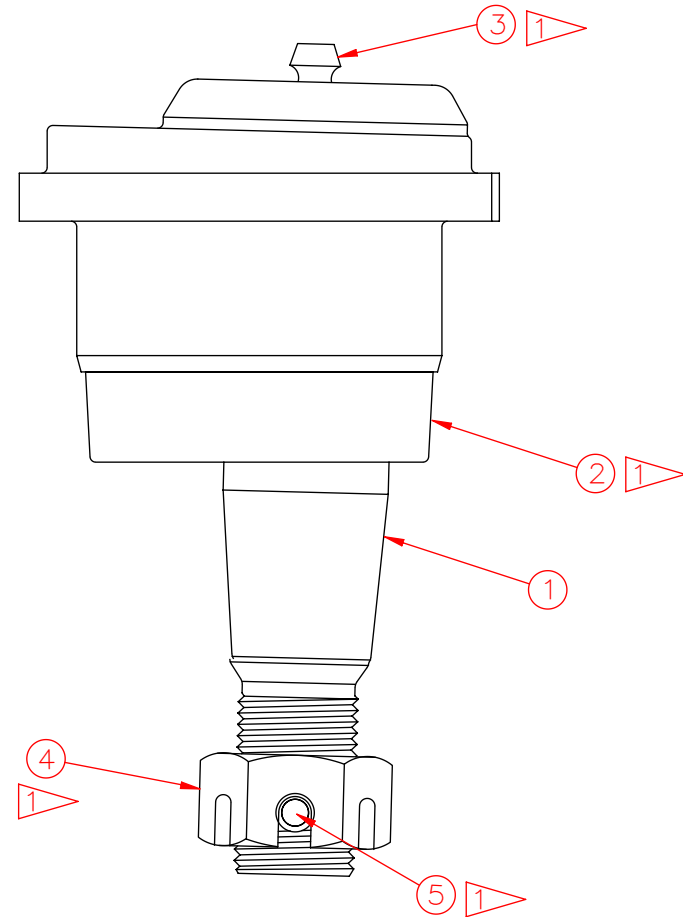


1	1	1	7	98710	INSTRUCTIONS	
1	1	1	6	98710	TEMPLATE	
1	1	1	5	23505	COTTER KEY	1/8" x 1"
1	1	1	4	23706	CASTLE NUT	
1	1	1	3	23504	ZERK, 1/4-28	WITCO P/N 37512
1	-	-	2	23732	DUST BOOT 1.5°	
-	1	-	2	23722	DUST BOOT 1.0°	
-	-	1	2	23712	DUST BOOT 0.5°	
1	-	-	1	237301	BALL JOINT ASS'Y1.5°	
-	1	-	1	237201	BALL JOINT ASS'Y1.0°	
-	-	1	1	237101	BALL JOINT ASS'Y0.5°	
✓	-	-	-	23730	BALL JOINT KIT 1.5°	
-	✓	-	-	23720	BALL JOINT KIT 1.0°	
-	-	✓	-	23710	BALL JOINT KIT 0.5°	
30	20	10	ITEM	PART NO.	DESCRIPTION	MATERIAL
QTY.	RQD	NO.	NO.			

Notes:

- Items 2,3,4 & 5 will be packaged seperatly.



Specialty Products Company
 Longmont, Colorado USA • www.specprod.com

PROPRIETARY AND CONFIDENTIAL

THIS DOCUMENT CONTAINS PROPRIETARY INFORMATION WHICH SHALL NOT BE REPRODUCED, TRANSFERRED TO OTHER DOCUMENTS, DISCLOSED TO OTHERS, USED FOR MANUFACTURING, OR ANY OTHER PURPOSE WITHOUT PRIOR WRITTEN PERMISSION FROM SPECIALTY PRODUCTS COMPANY

FOR RECEIVING-INSPECTION USE

Rev. **A**

07/31/14