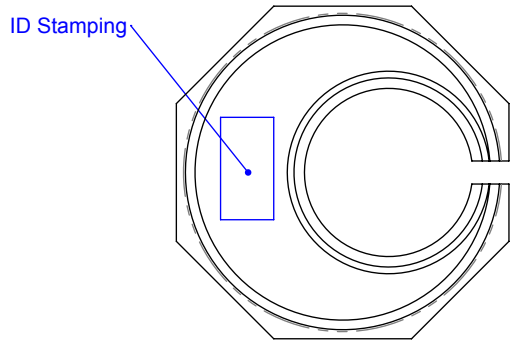
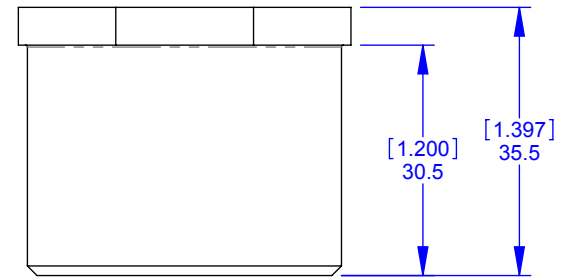
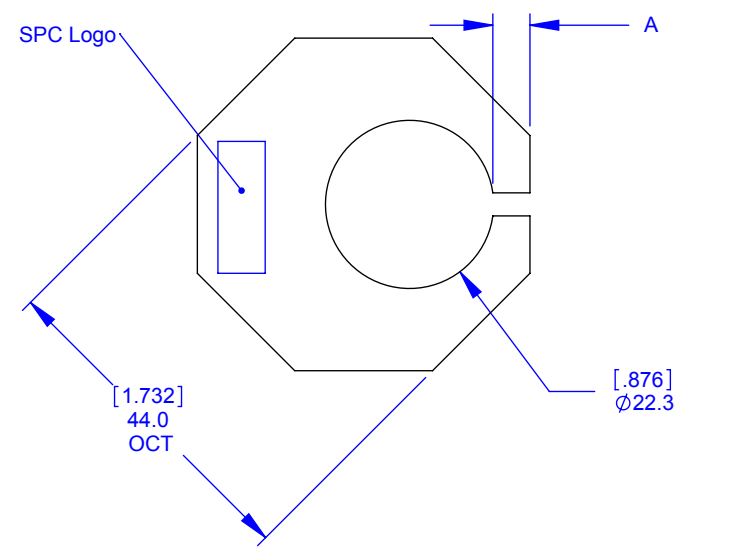
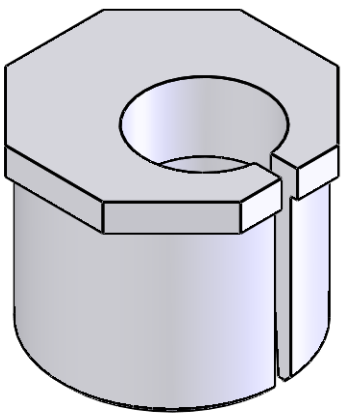


SLEEVE	Ford P/N	ID	("A")
232391	5C34-3D004-FA	7K 0	10.87 (.428)
232311	5C34-3D004-GA	7K 1/4	9.35 (.368)
232321	5C34-3D004-HA	7K 1/2	7.83 (.308)
232331	5C34-3D004-JA	7K 3/4	6.31 (.248)
232341	5C34-3D004-KA	7K 1	4.90 (.193)

**232311-391 SLEEVE**



**Specialty Products Company**  
 Longmont, Colorado USA • www.specprod.com

**232311-391 SLEEVE**

**PROPRIETARY AND CONFIDENTIAL**

THIS DOCUMENT CONTAINS PROPRIETARY INFORMATION WHICH SHALL NOT BE REPRODUCED, TRANSFERRED TO OTHER DOCUMENTS, DISCLOSED TO OTHERS, USED FOR MANUFACTURING, OR ANY OTHER PURPOSE WITHOUT PRIOR WRITTEN PERMISSION FROM SPECIALTY PRODUCTS COMPANY

**FOR RECEIVING-INSPECTION USE**

Rev. **D**