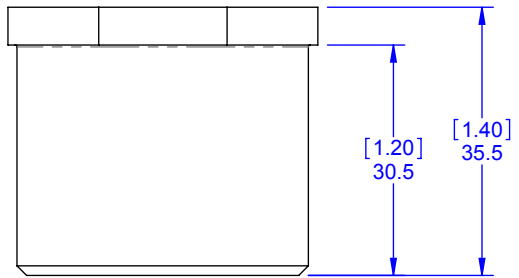
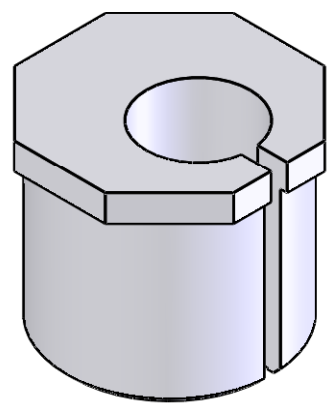
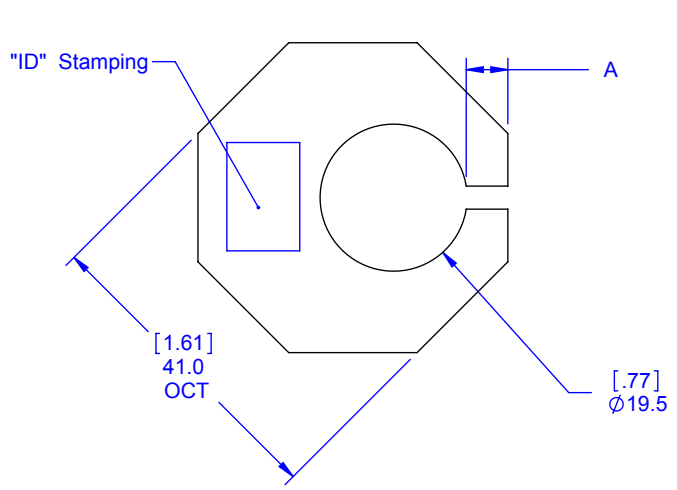


SLEEVE	FORD P/N	ID	("A")
232291	5C34-3D004-AA	6K 0	10.78 (.424)
232211	5C34-3D004-BA	6K 1/4	9.43 (.371)
232221	5C34-3D004-CA	6K 1/2	8.09 (.319)
232231	5C34-3D004-DA	6K 3/4	6.75 (.265)
232241	5C34-3D004-EA	6K 1	5.40 (.213)



Specialty Products Company
 Longmont, Colorado USA • www.specprod.com

232211-232291 SLEEVE

PROPRIETARY AND CONFIDENTIAL

THIS DOCUMENT CONTAINS PROPRIETARY INFORMATION WHICH SHALL NOT BE REPRODUCED, TRANSFERRED TO OTHER DOCUMENTS, DISCLOSED TO OTHERS, USED FOR MANUFACTURING, OR ANY OTHER PURPOSE WITHOUT PRIOR WRITTEN PERMISSION FROM SPECIALTY PRODUCTS COMPANY

FOR RECEIVING-INSPECTION USE

Rev. D