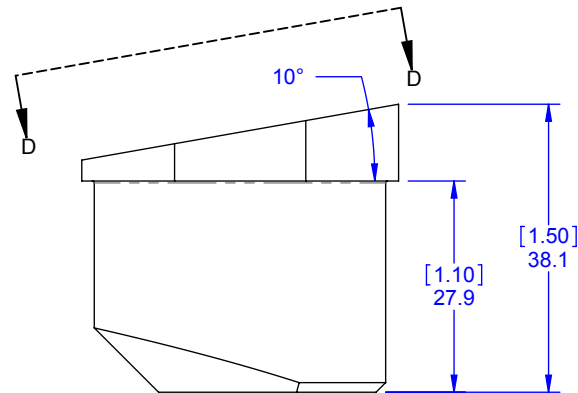
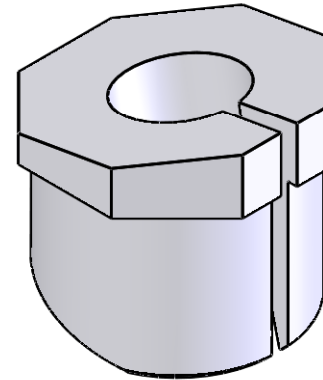
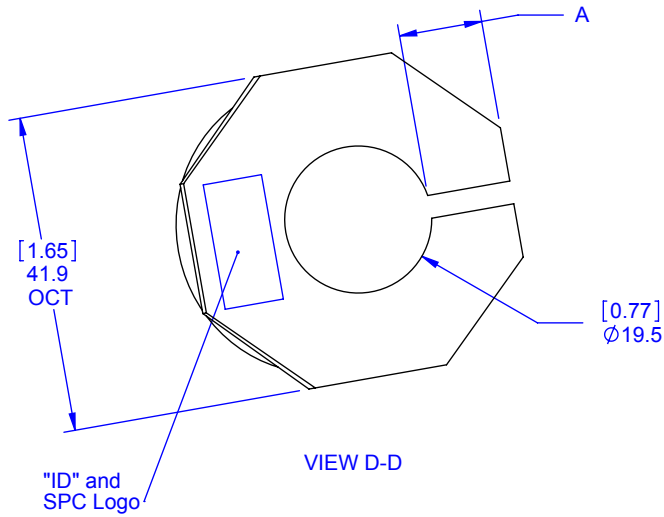


SLEEVE	ID	"A"
232111	6K 2 1/4°	11.0
232121	6K 2 1/2°	10.0



**Specialty Products Company®**  
 Longmont, Colorado USA • www.specprod.com

232111-232121 SLEEVE

**PROPRIETARY AND CONFIDENTIAL**

THIS DOCUMENT CONTAINS PROPRIETARY INFORMATION WHICH SHALL NOT BE REPRODUCED, TRANSFERRED TO OTHER DOCUMENTS, DISCLOSED TO OTHERS, USED FOR MANUFACTURING, OR ANY OTHER PURPOSE WITHOUT PRIOR WRITTEN PERMISSION FROM SPECIALTY PRODUCTS COMPANY

**FOR RECEIVING-INSPECTION USE**

Rev. **B**