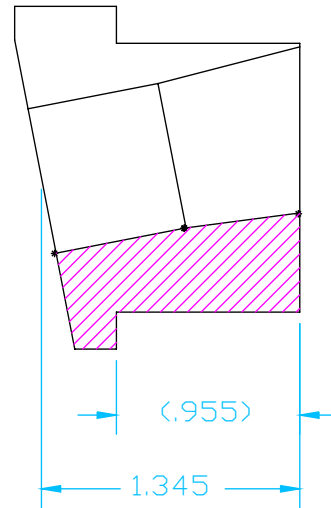
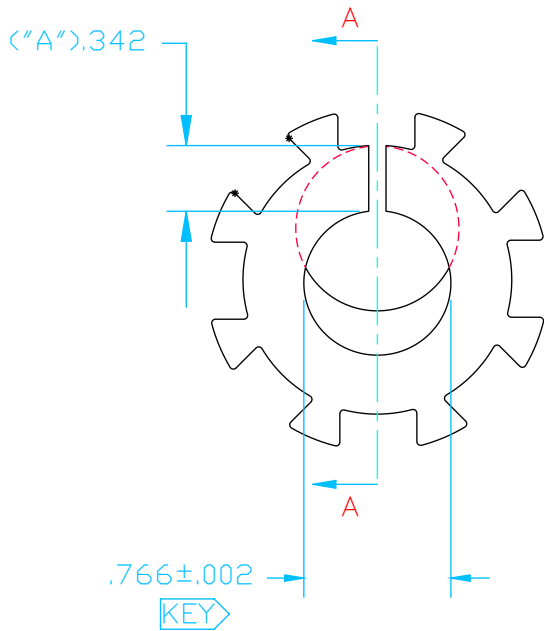
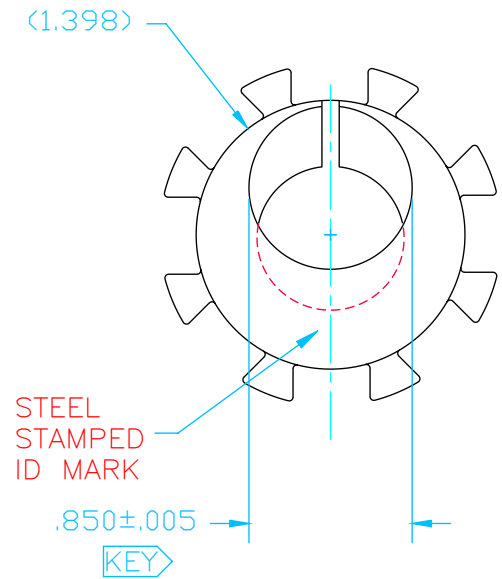


SLEEVE	ID	("A")
231111	F 2 1/4°	.334
231121	F 2 1/2°	.337
231131	F 2 3/4°	.341



SECTION A-A



FINISH: CLEAR ZINC

SPECIALTY PRODUCTS COMPANY

231111-231131

SLEEVE

SHEET 1 OF 1  
REV. C

**FOR RECEIVING-INSPECTION USE**