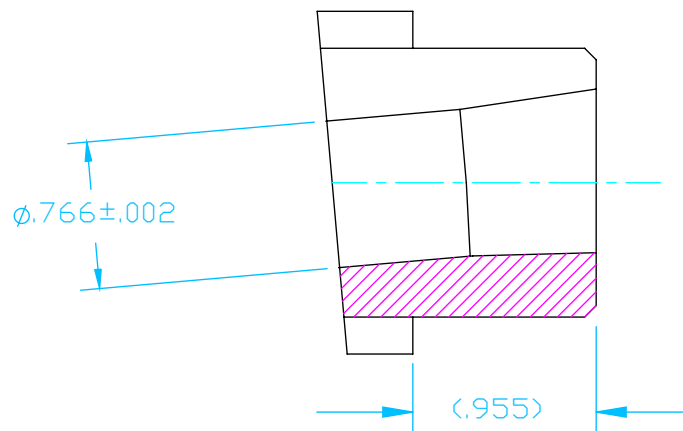
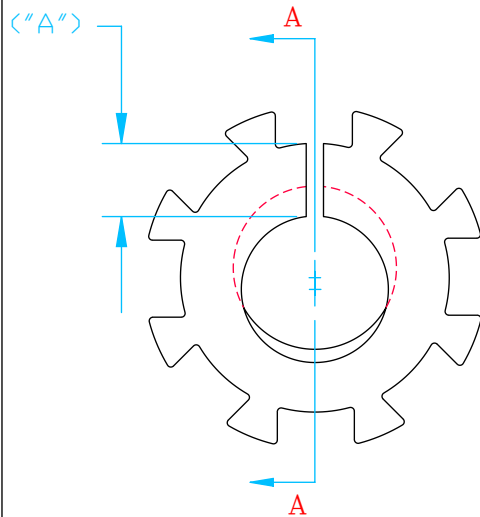
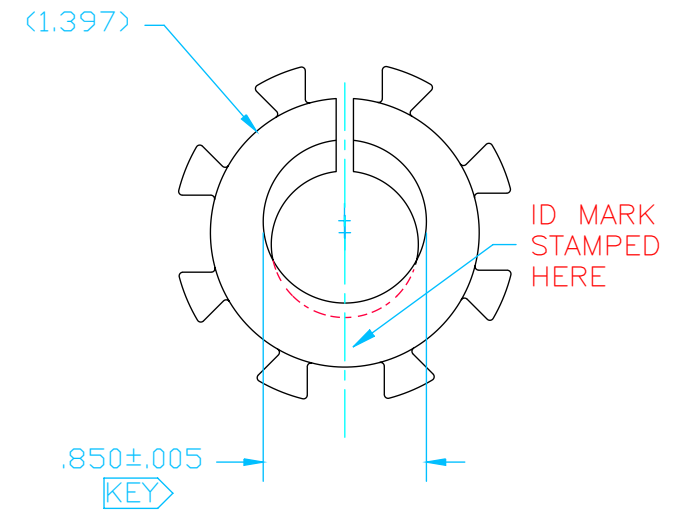


SLEEVE	ID	("A")
231031	F 3/4°	.350
231041	F 1°	.400
231051	F 1 1/4°	.400
231061	F 1 1/2°	.355
231071	F 1 3/4°	.385
231081	F 2°	.375



SECTION A-A



FINISH: CLEAR ZINC

SPECIALTY PRODUCTS COMPANY

231031-231081

SLEEVE

SHEET 1 OF 1

REV. E

FOR RECEIVING-INSPECTION USE